

salzer

Click to view

limit switches



foot switches



limit switches



PC 100, 200, 300 & 400 Series

SALIENT FEATURES

PC 100 Series limit switches are designed to operate two circuits at a time with a single plunger. The operating head cannot be interchanged as the design is application dedicated. Transparent acrylic top cover allows inspection of the contacts.

PC 200 Series limit switches are compact type having 32mm width and offer complete interchangeability of the Enclosure and Actuator assembly throughout the series. A non-metalic plastic top cover is provided to avoid electric shock under abnormal conditions. These are oil tight and dust proof switches. In 200 Series all models are available in Snap and Normal action mechanisms.

PC 300 Series limit switches are Micro switches with pressure die-cast, aluminium housing. The Operating Head cannot be interchanged as the design is application dedicated. These Series limit switches have a special type of leaf roller lever with 60mm Long. The operating travel is much less compared to other series switches.

PC 400 Series limit switches are designed for double action in which two plungers are provided, one on each side. The mechanism is maintained type in which NC Contacts will open with one side plunger actuation and will remain in this condition till next actuation force is applied from the opposite side. During the actuation, the NO contact will close and vice versa. Only one specially designed, application dedicated, single pole double throw change over contact model is available in this series.

PC 100 Series

PC CODE	DESIGN	CONTACT DETAILS		WIRING DIAGRAM	TRAVEL (MM & DEGREE)	EXECUTION
PC 101H	Horizontal Roller Actuator	Snap Action	2 NO + 2 NC			
PC 102V	Vertical Roller Actuator	Snap Action	2 NO + 2 NC			
PC 103LS	Long Stem Horizontal Roller Actuator	Snap Action	2 NO + 2 NC			
PC 104B	Bellow Actuator	Snap Action	2 NO + 2 NC			

PC 200 Series

PC CODE	DESIGN	CONTACT DETAILS		WIRING DIAGRAM	TRAVEL (MM & DEGREE)	EXECUTION
PC 201	Ball Actuator	Snap Action	1 NO + 1 NC			
PC 201N	Ball Actuator	Normal Action	1 NO + 1 NC			
PC 202	Roller Actuator	Snap Action	1 NO + 1 NC			
PC 202N	Roller Actuator	Normal Action	1 NO + 1 NC			
PC 203	Roller Lever Actuator	Snap Action	1 NO + 1 NC			
PC 203N	Roller Lever Actuator	Normal Action	1 NO + 1 NC			
PC 204	Slipping Roller Lever Actuator	Snap Action	1 NO + 1 NC			
PC 204N	Slipping Roller Lever Actuator	Normal Action	1 NO + 1 NC			
PC 205	Rotating Roller Lever Actuator	Snap Action	1 NO + 1 NC			
PC 205N	Rotating Roller Lever Actuator	Normal Action	1 NO + 1 NC			
PC 206	Spring Needle Actuator	Snap Action	1 NO + 1 NC			
PC 206N	Spring Needle Actuator	Normal Action	1 NO + 1 NC			

PC 200 Series

PC CODE	DESIGN	CONTACT DETAILS		WIRING DIAGRAM	TRAVEL (MM & DEGREE)	EXECUTION
PC 207/1	Angular Roller Lever Actuator (Right Side)	Snap Action	1 NO + 1 NC			
PC 207/1N	Angular Roller Lever Actuator (Right Side)	Normal Action	1NO + 1NC			
PC 207/2	Angular Roller Lever Actuator (Left Side)	Snap Action	1NO + 1NC			
PC 207/2N	Angular Roller Lever Actuator (Left Side)	Normal Action	1NO + 1NC			
PC 208	Long Roller Lever Actuator	Snap Action	1 NO + 1 NC			
PC 208N	Long Roller Lever Actuator	Normal Action	1 NO + 1 NC			

PC 300 Series

PC CODE	DESIGN	CONTACT DETAILS		WIRING DIAGRAM	TRAVEL (MM & DEGREE)	EXECUTION
PC 301P (Old Code PC 302P)	Plunger Actuator	Snap Action	1 NO + 1 NC			
PC 302H (Old Code PC 301 H)	Horizontal Roller Actuator	Snap Action	1 NO + 1 NC			
PC 302V (Old Code PC 301 V)	Vertical Roller Actuator	Snap Action	1 NO + 1NC			

PC 300 Series

PC CODE	DESIGN	CONTACT DETAILS		WIRING DIAGRAM	TRAVEL (MM & DEGREE)	EXECUTION
PC 303	Angular Leaf Roller Lever Actuator	Snap Action	1 NO+1 NC			

PC 400 Series

PC CODE	DESIGN	CONTACT DETAILS		WIRING DIAGRAM	TRAVEL (MM & DEGREE)	EXECUTION
PC 401	Double Plunger Actuator	Snap Action	1 NO+1 NC			

TECHNICAL DATA AS PER STANDARD IEC 60947 5-1 OF 1997

TECHNICAL DATA	PC 100 SERIES LIMIT SWITCHES	PC 200 SERIES LIMIT SWITCHES	PC 300 SERIES LIMIT SWITCHES	PC 400 SERIES LIMIT SWITCHES
Design	4 Types of Operating Heads	8 Types of Operating Heads	4 Types of Operating Heads	Double Action
Contact Combination	2NO+2NC, Double Pole Double Throw Single Break	1NO+1NC, Single Pole, Double Throw, Double Break	1NO+1NC, Single Pole, Double Throw, Single Break	1NO+1NC, Single Pole, Double Throw, Single Break.
Mechanism	Snap Action	Snap / Normal Action	Snap Action	Snap Action
Current & Voltage Rating	5A, 250V AC	10A, 500V AC	10A, 440V AC	10A, 440V AC
Cable Entry	G3/8 BSP - 2 Nos.	G 3/8 BSP - 3 Nos. or Pg 9 - 3 Nos. or M18x1.5 - 3 Nos.	1/2" BSP- 1 No. Pg 9 - 1 No.	1/2" BSP - 1 No.
Terminal Capacity	2.5sq mm solid / stranded Conductors	2.5 sq.mm solid / stranded Conductors	2.5 sq.mm solid / stranded Conductors	2.5 sq.mm solid / stranded Conductors
Electrical Protection	IP4X for all 100 Series	IP 65 for all 200 Series	IP4X for all 300 Series	IP4X for all 400 Series
Operating Force	900 Grams (max)	a)450 600Grams(max). b)250 400Grams(max) for PC 206 & PC 208	a) 900 Grams(max) for PC 301 & PC 302 b) 600 Grams(max) for PC 303	450 - 600Grams(max).
Housing	Aluminium Pressure Die Casting	Aluminium Pressure Die Casting	Aluminium Pressure Die Casting	Aluminium Pressure Die Casting
Application	Textile Machines such as Comber, Blow Room Machinery	Textile Machine such as Draw, Ring & speed Frames. Blow Room, Carding Comber & Doffer Machines	Textile Machines such as Comber, Draw Frame, Blow Room & Carding Machines.	Textile Machines such as Speed Frame(LF 1400)

PC 600 Series

SALIENT FEATURES

PC 600 Series Limit Switches are designed to having 34mm width, with specially designed head which rotates in steps of 90° in four directions and allows actuating rod from any of the 4 directions. The switches are actuated by push rod, normal roller lever, angular roller lever, crank lever etc. The roller is made of high grade wear resistant moulded phenolic material. In addition, Fork type in Line Rollers, Fork type Offset Rollers, 76mm Long Roller Lever and 32.0 to 82.5mm Adjustable Roller Lever Operating Heads are available with Steel Rollers for flexibility..

PC 600 Series Limit Switch Enclosure are interchangeable in types PC 601, PC 602, PC 603, PC 604, PC 607 and PC 608.

The Operating Heads of PC 600 Series Limit Switches Like Rotating Roller Lever, Fork Type in Line Rollers,

Fork Type Offset Rollers, 76mm Long Roller Lever are interchangeable with the enclosure for PC 605.

The Boxes and Actuator Assemblies of PC 606 and PC 609 are not interchangeable with the rest of the PC 600 Series.

PC 600 Series Limit Switches offers a variety of Degree of Protection from IPXX to IP65 and also a range of contact arrangement to provide operational flexibility and economics.

The Application area coverage of PC 600 Series Limit switches are Injection Moulding Machines, Hoists & Cranes Machine Tools, Textile Machines and SPM's.

PC 600 Series

PC CODE	DESIGN	CONTACT DETAILS	WIRING DIAGRAM	TRAVEL (MM & DEGREE)	EXECUTION
PC 600	Only Push Rod Operated, without Housing IP XX	Snap Action 1 NO + 1 NC			
PC 600 N	Only Push Rod Operated, Without Housing IP XX	Normal Action 1 NO + 1 NC			
PC 600NE		Extended Stroke 1 NO + 1 NC			
PC 600NOL		Over Lapping 1 NO + 1 NC			

❖ Add suffix 'P' for Switches with Plastic Protective Covers for IP 4X protection ie. PC 600P, PC 600 NP etc.,

PC 600 Series

PC CODE	DESIGN	CONTACT DETAILS		WIRING DIAGRAM	TRAVEL (MM & DEGREE)	EXECUTION
PC 601	In Die Cast Aluminium Housing, with Push Rod Operated IP 65	Snap Action	1 NO + 1 NC			
PC 601N		Normal Action	1 NO + 1 NC			
PC 601NE		Extended Stroke	1 NO + 1 NC			
PC 601NOL		Over Lapping	1 NO + 1 NC			
PC 602	In Die Cast Aluminium Housing, with Horizontal Roller Actuator IP 65	Snap Action	1 NO + 1 NC			
PC 602N		Normal Action	1 NO + 1 NC			
PC 602NE		Extended Stroke	1 NO + 1 NC			
PC 602NOL		Over Lapping	1 NO + 1 NC			
PC 603	In Diecast Aluminium Housing, With Normal Roller Lever Actuator IP 65	Snap Action	1 NO+1 NC			
PC 603N		Normal Action	1 NO+1 NC			
PC 603NE		Extended Stroke	1 NO+1 NC			
PC 603NOL		Over Lapping	1 NO+1 NC			

PC 600 Series

PC CODE	DESIGN	CONTACT DETAILS	WIRING DIAGRAM	TRAVEL (MM & DEGREE)	EXECUTION	
PC 604	In Die Cast Aluminium Housing with Slipping Roller Lever Actuator	Snap Action	1 NO+1 NC			
PC 604N		Normal Action	1 NO+1 NC			
PC 605	In Die Cast Aluminium Housing, with Rotating Roller Lever Actuator	Snap Action	1 NO+1 NC			
PC 605N		Normal Action	1 NO+1 NC			
PC 605NOL		Over Lapping	1 NO+1 NC			
PC 605F	In Diecast Alum. Housing, with Fork Type in line Roller Lever	Snap Action	1 NO+1 NC			
PC 605FO	In Die cast Alum. Housing, with Fork Type Offset Roller Lever Actuator	Snap Action	1 NO+1 NC			
PC 605L	In Diecast Aluminium Housing, With 76mm Rotating Roller Lever Actuator	Snap Action	1 NO+1 NC			
PC 605A	In Die Cast Aluminium Housing, with Rotating Adjustable Roller Lever	Snap Action	1 NO+1 NC			

PC 600 Series

PC CODE	DESIGN	CONTACT DETAILS		WIRING DIAGRAM	TRAVEL (MM & DEGREE)	EXECUTION
PC 606	In Die Cast Aluminium Housing, with Spring Needle Actuator	Snap Action	1 NO + 1 NC			
PC 606N		Normal Action	1 NO + 1 NC			
PC 607	In Die Cast Aluminium Housing, with Angular Lever Actuator	Snap Action	1 NO + 1 NC			
PC 607N		Normal Action	1 NO + 1 NC			
PC 607NE		Extended Stroke	1 NO + 1 NC			
PC 607NOL		Over Lapping	1 NO + 1 NC			
PC 608	In Die Cast Aluminium Housing, with Long Roller Lever Actuator	Snap Action	1 NO + 1 NC			
PC 608N		Normal Action	1 NO + 1 NC			
PC 608NE		Extended Stroke	1 NO + 1 NC			
PC 608NOL		Over Lapping	1 NO + 1 NC			
PC 609	In Die Cast Aluminium Housing, With Short Roller Lever Actuator	Snap Action	1 NO + 1 NC			
PC 609N		Normal Action	1 NO + 1 NC			
PC 609NE		Extended Stroke	1 NO + 1 NC			
PC 609NOL		Over Lapping	1 NO + 1 NC			

PC 700 Series

SALIENT FEATURES

PC 700 Series limit switches with "Set Back" head design and with Shorter, Stronger mounting screws to provide greater structural rigidity between the operating head and the switch. The Aluminium pressure die cast enclosure adds to the strength and this range is able to handle higher operating force.

PC 700 Series Limit Switches are completely oil tight, water tight and dust proof, with a shaft seal between the lever and the head. Internal seal between the head and the enclosure and an external seal between the cover and the body.

The Contact structure has solid thermoplastic barriers between terminals to prevent short circuiting. Terminals have ample wiring space for easier wiring and are serrated to give a firm grip to the straight wire. The complete unit can be removed and replaced without the risk of changing the operating characteristics of the limit switches.

PC 700 Series Limit Switches are available with a variety of operating heads to meet various applications. Rotary Lever and Fork lever operating heads may be used on maintained type contacts.

The Application area coverage of 700 Series Limit switches are Injection Moulding Machines, Hoists & Cranes. Machine Tools, Textile Machines and Conveyors.

PC CODE	DESIGN	CONTACT DETAILS		WIRING DIAGRAM	TRAVEL (MM & DEGREE)	EXECUTION
PC 701	Top Plunger (Push button Adjustable) Spring Return	Snap Action	INO+INC			
PC 702	Top Push Roller Spring Return	Snap Action	INO+INC			
PC 703	Side Plunger (Push Button Adjustable) Spring Return	Snap Action	INO+INC			
PC 704	Side Push Roller Spring Return	Snap Action	INO+INC			

PC 700 Series

PC CODE	DESIGN	CONTACT DETAILS		WIRING DIAGRAM	TRAVEL (MM & DEGREE)	EXECUTION
PC 705	38 mm Long, Rotating Roller Lever Spring Return	Snap Action	INO+INC			
PC 705M	38 mm Long, Rotating Roller Lever Maintained	Snap Action	INO+INC			
PC 706/1	Nylon Cat Whisker Spring Return	Snap Action	INO+INC			
PC 706/2	Steel Cat Whisker Spring Return	Snap Action	INO+INC			
PC 706/2M	Steel Cat Whisker Maintained	Snap Action	INO+INC			
PC 707/1	Fork Type Inline Roller Lever Spring Return	Snap Action	INO+INC			
PC 707/1M	Fork Type Inline Roller Lever Maintained	Snap Action	INO+INC			

PC 700 Series

PC CODE	DESIGN	CONTACT DETAILS		WIRING DIAGRAM	TRAVEL (MM & DEGREE)	EXECUTION
PC 707/2	Fork Type Offset Roller Lever Spring Return	Snap Action	INO+INC			
PC 707/2M	Fork Type Offset Roller Lever maintained	Snap Action	INO+INC			
PC 708	76mm Long Rotating Roller Lever Spring Return	Snap Action	INO+INC			
PC 708M	76mm Long Long Roller Lever Maintained	Snap Action	INO+INC			
PC 709	Rotating Adjustable Roller Lever (32mm-82.5mm) Spring Return	Snap Action	INO+INC			
PC 709M	Rotating Adjustable Roller Lever (32mm-82.5mm) Maintained	Snap Action	INO+INC			

TECHNICAL DATA AS PER STANDARD IEC 60947-5-1 OF 1997

Technical Data	PC 700 Series Limit Switches	
Design	11 Types of Operating Heads	
Contact Combination	1NO+1NC, Single Pole, Double Throw, Double Break	
Mechanism	Snap Action	
Current & Voltage Rating	10A, 600V AC, 250V DC	
Utilization Category	AC15 and DC 13 as per IEC 60947-5-1 of 1997	
Thermal Current (I _{th})	10A	
Insulation Voltage	600V AC, 250V DC	
AC 15 Rating	6A at 120V, 3A at 240V, 1.5A at 480V, 1.2A at 6000V	
DC 13 Rating	0.5A at 125V, 0.3A at 250V	
Frequency of Operation	2500 operations per hour	
Mechanical Life	20 x 10 ⁶ Operations	
Cable Entry	¾" UNF - 1 No.	
Terminal Capacity	2.5 Sqmm Solid / Stranded	
Protection	IP 65 for all 700 Series	
Housing	Aluminium Pressure Die Casting	
Operating Force	0.285 Kg.	PC 706/1
	0.500 Kg.	PC 705M, PC 707/2M, PC 708M, PC 709M, PC 706/2M
	1.000 Kg.	PC 705, PC 706/2, PC 707/1, PC 707/2, PC 708, PC 709
	2.000 Kg.	PC 701, PC 702, PC 703, PC 704
Application	Injection Moulding Machines, Hoists & Cranes. Machine Tools, Textile Machines and Conveyers.	

PC 900 Series

SALIENT FEATURES

- PC 900** Series limit switches are designed to having 34mm width, Heavy Duty Range in Aluminium Pressure die cast enclosures.
- PC 900** Series Limit switches are available in Two type of contact element are 1NO+2NC and 2NO+1NC with 3 sets of contacts.
- PC 900** Series Limit Switches Enclosure and actuator assembly are interchangeable for Models PC 901N-1A, PC 901N-3A and PC901N-7A.
- PC 900** Series Limit Switch Operating Heads are Normal Roller Lever, Angular Roller Lever and Heavy duty Horizontal Roller.
- PC 900** Series Limit Switches offers a variety of Degree of Protection from IPXX to IP 65.

PC CODE	DESIGN	CONTACT DETAILS		WIRING DIAGRAM	TRAVEL (MM & DEGREE)	EXECUTION
PC 901N	Only Push Rod Operated, No Aluminium Housing	Normal Action	1 NO + 2 NC			
PC 901 NOL		Over Lapping	1 NO + 2 NC			
PC 902 N	Only Push Rod Operated, No Aluminium Housing	Normal Action	2 NO + 1 NC			
PC 902NOL		Over Lapping	2 NO + 1 NC			
PC 901N-1A	Complete in Die Cast Aluminium Housing	Normal Action	1 NO + 2 NC			
PC 90 N-1AOL		Over Lapping	1 NO + 2 NC			
PC 902N-1A		Normal Action	2 NO + 1 NC			
PC 902N-1AOL		Over Lapping	2 NO + 1 NC			

PC 900 Series

PC CODE	DESIGN	CONTACT DETAILS		WIRING DIAGRAM	TRAVEL (MM & DEGREE)	EXECUTION
PC 901N-3A	Complete in Die Cast Aluminium Housing With Normal Roller Lever Actuator IP 43	Normal Action	1 NO + 2 NC			
PC 901N-3AOL		Over Lapping	1 NO + 2 NC			
PC 902N-3A		Normal Action	2 NO + 1 NC			
PC 902N-3AOL		Over Lapping	2 NO + 1 NC			
PC 901N-7A	Angular Roller Lever Actuator IP43	Normal Action	1 NO + 2 NC			
PC 901N-7AOL		Over Lapping	1 NO + 2 NC			
PC 902N-7A	Angular Roller Lever Actuator IP43	Normal Action	2 NO + 1 NC			
PC 902N-7AOL		Over Lapping	2 NO + 1 NC			
PC 901N-10A	Complete in Die Cast Aluminium Housing with Horizontal Roller Actuator (Heave Duty) IP 43	Normal Action	1 NO + 2 NC			
PC 901N-10AOL		Over Lapping	1 NO + 2 NC			
PC 902N-10A		Normal Action	2 NO + 1 NC			
PC 902N-10AOL		Over Lapping	2 NO + 1 NC			

SPARES

CONTACT BLOCK CODE NO.	COMPLETE BOX CODE NO.	OPERATING HEAD CODE NO.
PC 901N	PC 901NB	PC 600NLR (Normal Roller Lever)
PC 902N	PC 902NB	
PC 901NOL	PC 901NOLB	PC 600ALR (Angular Roller Lever)
PC 902NOL	PC 902NOLB	

PC 900 Series

TECHNICAL DATA AS PER STANDARD IEC 60947-5-1 OF 1997

TECHNICAL DATA	PC 900 SERIES LIMIT SWITCHES																												
Design	4 Types of Operating Heads																												
Contact Combination	1 NO+2NC, 2NO+1NC																												
Mechanism	Normal Action or Overlapping																												
Current & Voltage Rating	10A, 500V AC																												
Thermal Current (I _{th})	10A																												
Permissible Ambient Temperature	- 40°C to +85°C																												
Frequency of Operation	6000 Cycles per hour																												
Mechanical Life	15 Million Operations																												
Contact Life AC	<table border="1"> <thead> <tr> <th colspan="2">Breaking Current Amps.</th> <th>1</th> <th>3</th> <th>6</th> <th>10</th> </tr> </thead> <tbody> <tr> <td>Switching Cycles in Million</td> <td>Normal Action</td> <td>15</td> <td>25</td> <td>5</td> <td>1</td> </tr> </tbody> </table>	Breaking Current Amps.		1	3	6	10	Switching Cycles in Million	Normal Action	15	25	5	1																
Breaking Current Amps.		1	3	6	10																								
Switching Cycles in Million	Normal Action	15	25	5	1																								
Making and Breaking capacity	<p>AC 15 Duty ie 40-60 HZ, P.F. of 0.3 log to 1</p> <table border="1"> <thead> <tr> <th>Operating Voltage V</th> <th>Rated Operating Current (I_e) Amps Normal Action</th> <th>Rated Making Capacity (Amp) Normal Action</th> <th>Rated Breaking Capacity (Amp) Normal Action</th> </tr> </thead> <tbody> <tr> <td>24</td> <td>6</td> <td>90</td> <td>60</td> </tr> <tr> <td>120</td> <td>6</td> <td>90</td> <td>60</td> </tr> <tr> <td>240</td> <td>6</td> <td>90</td> <td>60</td> </tr> <tr> <td>380</td> <td>6</td> <td>90</td> <td>60</td> </tr> <tr> <td>480</td> <td>4</td> <td>90</td> <td>60</td> </tr> <tr> <td>500</td> <td>4</td> <td>90</td> <td>60</td> </tr> </tbody> </table>	Operating Voltage V	Rated Operating Current (I _e) Amps Normal Action	Rated Making Capacity (Amp) Normal Action	Rated Breaking Capacity (Amp) Normal Action	24	6	90	60	120	6	90	60	240	6	90	60	380	6	90	60	480	4	90	60	500	4	90	60
Operating Voltage V	Rated Operating Current (I _e) Amps Normal Action	Rated Making Capacity (Amp) Normal Action	Rated Breaking Capacity (Amp) Normal Action																										
24	6	90	60																										
120	6	90	60																										
240	6	90	60																										
380	6	90	60																										
480	4	90	60																										
500	4	90	60																										
Cable Entry	½" BSP & M20 x 1.5																												
Terminal Capacity	2.5 Sqmm Solid / Stranded Conductors																												
Protection	IP XX with Open Contacts IP 4X with Protective Cover IP 43 with Aluminum Enclosure																												
Operating Force	750 Grams to 1000 Grams																												
Housing	Aluminum Die Casting																												
Application	Injection Moulding Machines, Hoists & Cranes. Machine Tools, Textile Machines and Conveyers.																												

PC 1500 Series

PC 1500 Series Precision Limit Switches available in 16 types are compact, reliable durable and accurate having 1NO+1NC (Single Pole) and 2 NO+2NC (Double pole) change over contacts to facilitate selection and application for your specific needs.

SALIENT FEATURES

- Movable contact assembly with two coiled springs provides quick make and quick break action.
- Absence of zero contact pressure ensures not-teasing action even with an extremely slow operation motion.
- Light weight phosphor bronze contact carrier with silver contacts, assure long life on high load applications.
- Silver contacts, definite wiping action and high contact pressure assure reliability on dry circuit applications.
- Phenolic moulded case provides great physical strength, high arc resisting capacity and semi dust proofness.
- High degree of versatility as wide variety of operating heads available with individual mounting.

Push Button Plunger

The oil tight constructed plunger mechanism prevents any ingress of oil including coolant. The position of switch mounting is adjustable with the two lock nuts provided.

Roller Lever

Roller Lever with a steel roller mounted on either top and right hand side or top and left hand side provides operation in both sides.

Roller Plunger

The Similar oil tight constructed roller plunger either inline with the contact block or right angles to it, allows the cam or any other devices to operate in any of the four directions.

Six Inch Lever

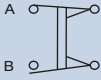
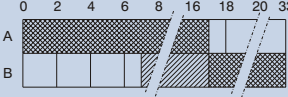
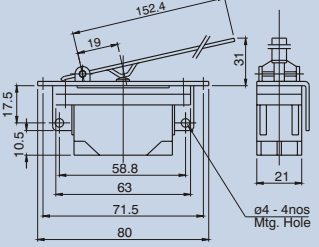
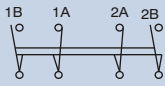
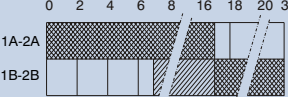
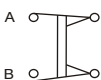
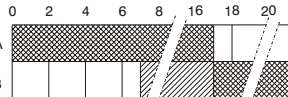
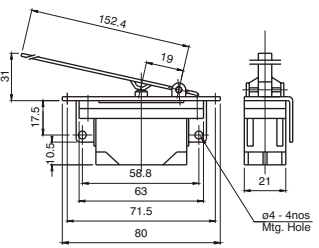
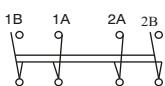
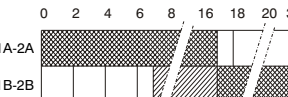
Operators provide either top and right hand mounting or top and left hand mounting. The lever may be cut or bent to any desired length or shape to satisfy the user requirements.

PC CODE	DESIGN	CONTACT DETAILS		WIRING DIAGRAM	TRAVEL (MM & DEGREE)	EXECUTION
PC 1500-1A	Only Contact Block without Operator	Snap Action	1NO + 1NC			
PC 1500-2A	Dust Proof	Snap Action	2NO + 2NC			
PC 1501-1A	Top Push Button Operator	Snap Action	1NO + 1NC			
PC 1501-2A	IP 65 From The Top	Snap Action	2NO + 2NC			

PC 1500 Series

PC CODE	DESIGN	CONTACT DETAILS		WIRING DIAGRAM	TRAVEL (MM & DEGREE)	EXECUTION
PC 1502-1AH	Top Push Roller Operator Horizontal	Snap Action	1NO + 1NC			
PC 1502-2AH	IP 65 From The Top	Snap Action	2NO + 2NC			
PC 1502-1AV	Top Push Roller Operator Vertical	Snap Action	1NO + 1NC			
PC 1502-2AV	IP 65 From The Top	Snap Action	2NO + 2NC			
PC 1503-1AL	Roller Lever Operator Left Hand Mounting	Snap Action	1NO + 1NC			
PC 1503-2AL	IP 4X From The Top	Snap Action	2NO + 2NC			
PC 1503-1AR	Roller Lever Operator Right Hand Mounting	Snap Action	1NO + 1NC			
PC 1503-2AR	IP 4X From The Top	Snap Action	2NO + 2NC			

PC 1500 Series

PC CODE	DESIGN	CONTACT DETAILS		WIRING DIAGRAM	TRAVEL (MM& DEGREE)	EXECUTION
PC 1504-1AL	Six Inch Lever Operator Left Hand Mounting IP 4X From The Top	Snap Action	1NO + 1NC			
PC 1504-2AL		Snap Action	2NO + 2NC			
PC 1504-1AR	Six Inch Lever Operator Right Hand Mounting IP 4X From The Top	Snap Action	1NO + 1NC			
PC 1504-2AR		Snap Action	2NO + 2NC			

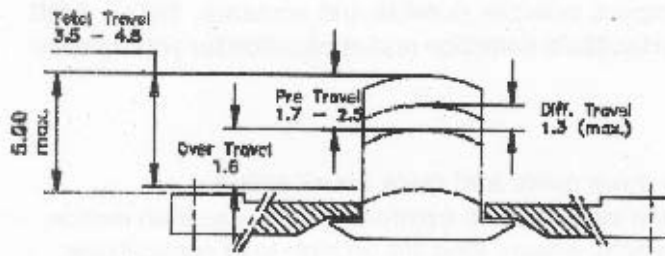
TECHNICAL DATA AS PER STANDARD IEC 60947-5-1 OF 1997

Technical Data	PC 1500 Series Limit Switches
Design	7 Types of Operating Heads
Contact Combination	Single Pole - 1NO+1NC, Double Pole - 2NO+2NC
Mechanism	Snap Action
Electrical Rating	10A, 600 V AC
Utilization Category	AC 15 and DC 13
Frequency of Operation	2500 Operations / hours(Max)
Terminal Capacity	2.5 sq.mm Solid / Stranded Conductors
Electrical Protection	Dust Proof without operator IP 65 from the top for plunger type IP 4X from the top for lever type
Mechanical Life	20 Millions operations without operator & 10 Millions operations with operator
Operating Force	0.400 Kg (min) & 0.600 Kg (max)
Application	Machine Tools with different attachments, contact blocks for foot switches and contact blocks for micro adjustable limit switches

PC 1500 Series

OPERATIONAL CURRENT & VOLTAGE

AC 15 Rating	Single Pole (1NO+1NC)	Double Pole (2NO+2NC)	DC 13 Rating	Single Throw	Double Throw	Single Throw	Double Throw
120 V	6.0 A	4.5 A	125 V	2.2 A	0.5 A	1.1 A	0.2 A
240 V	3.0 A	2.2 A	250 V	1.1 A	0.3 A	0.5 A	0.1 A
480 V	1.5 A	1.2 A	600 V	0.4 A	0.1 A	0.2 A	---
600 V	1.2 A	0.9 A					



The repeat accuracy of individual switch rip point is such that after millions of operations they do not drift more than 0.01mm.

SELECTION CHART

Description	Catalogue Code
1NO + 1NC Contact Block	PC 1500-1A
2NO + 2NC Contact Block	PC 1500-2A
1NO + 1NC Contact Block with Top Push Button Operator	PC 1501-1A
1NO + 1NC Contact Block with Top Push Roller Operator in-Line with Contact Block	PC 1502 - 1AH
1NO + 1NC Contact Block with Top Push Roller Operator at Right angles to Contact Block	PC 1502 - 1AV
1NO + 1NC Contact Block with Roller Lever Operator (Left Hand Mounting)	PC 1503 - 1AL
1NO + 1NC Contact Block with Roller Lever Operator (Right Hand Mounting)	PC 1503 - 1AR
1NO + 1NC Contact Block with 6 inch Lever Operator (Left Hand Mounting)	PC 1504 - 1AL
1NO + 1NC Contact Block with 6 inch Lever Operator (Right Hand Mounting)	PC 1504 - 1AR

SPARES

Operator assembly	Catalogue Code
Top push button Operator	PC 1500 TPB
Top Push roller assembled in line with contact block	PC 1500 TRH
Top push roller assembled at right angles to contact block	PC 1500 TRV
Roller lever, right hand mounting	PC 1500 RLR
Roller lever, left hand mounting	PC 1500 RLL
Six inch lever, right hand mounting	PC 1500 SLR
Six inch lever, left hand mounting	PC 1500 SLL

* For Switches with 2NO + 2NC Contact Block replace with 2A instead of 1A to the Catalogue Code.

SPECIAL PURPOSE LIMIT SWITCHES



PC 203NPB

**RATING : 10A 380V AC
CONTACT : 2NC**



PC 600RP

**RATING : 10A 600V AC
CONTACT : 1NO + 1NC**



PC 763

**RATING : 10A 600V AC
CONTACT : 1NO + 1NC**



PC 767

**RATING : 10A 600V AC
CONTACT : 1NO + 1NC**



**PC 1000/12
1.2Kg Pressure Switch**

**RATING : 10A 440V AC
CONTACT : 1NO + 1NC**



**PC 1000/15
1.5Kg Pressure Switch**

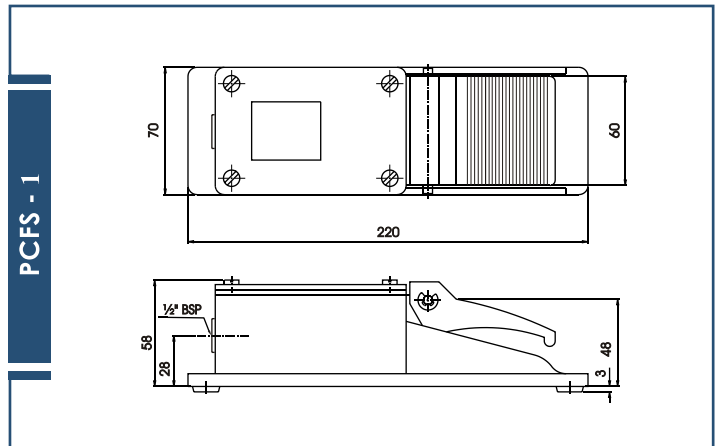
**RATING : 10A 440V AC
CONTACT : 1NO + 1NC**

foot
switches



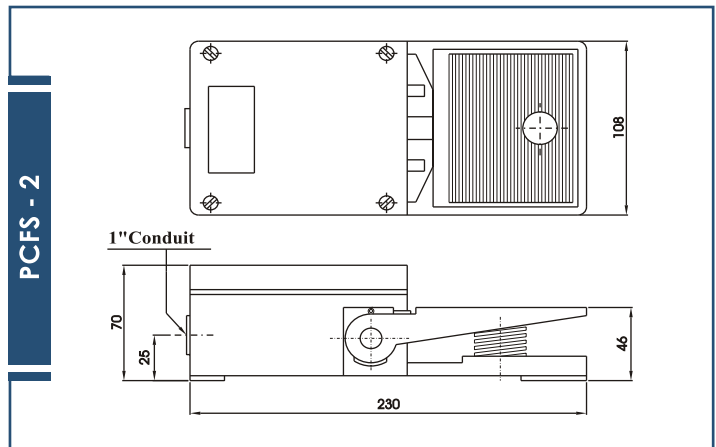
COMPACT FOOT SWITCH - PCFS-1

This Switch has a provision to accommodate only one contact block of 1NO + 1NC, and is provided with a horizontal plunger actuated by a Pedal. Rubber cushion provided at the bottom of the housing enable to place the Switch anywhere with vibration free performance. Steel top cover is provided with oil sealing gasket so as to avoid accidental damages to the Switch. A gasket between housing and cover, and a friction type seal on the actuator plunger assure water and oil tight performance. These Switches are also available with Sheet Metal Shield (PCFS-1/WSD)



HEAVY DUTY FOOT SWITCH - PCFS-2

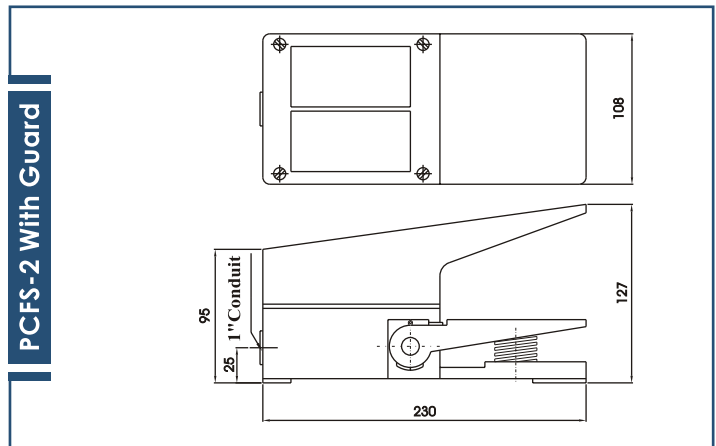
These foot Switches having facility to accommodate two contact blocks of either PC 600 series or PC 1500 series Limit Switch. These Foot Switches are available with three point mounting bosses for mounting on the floor. In addition four rubber cushions are provided according to customers choice.



When two contact blocks are supplied, adjustment of the lever assembly provides simultaneous or differential tripping of the contact blocks.

A safety spring within the enclosure assures treadle spring return in case of the main spring under the treadle gets damaged.

Three types of top covers are available as plain cover, guard and shield. The selection of the cover depends on the degree of protection desired, to prevent accidental treadle operation.



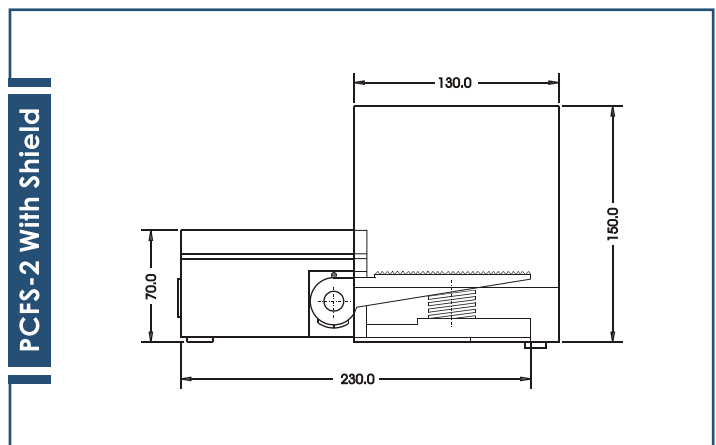
CATALOGUE CODE DESCRIPTION

Eg. : Product code : PCFS-2 Heavy duty Foot Switch

Type of Foot Switch

- : **H**- Foot Switch with PC 600 Limit Switch
- : **P**- Foot Switch with PC 1500 Limit switch
- : **Z**- Foot Switch with 3 Position operation

Type of Contact Block



Foot Switches of heavy duty types are available in two (Full down) or three (half down / full down) position operations.

ORDERING CODE - Example

PCFS2/P22GZ - Spring return, three position, heavy duty Foot Switch with guard and two 2 NO + 2 NC contact blocks of precision (PC 1500) Limit Switch.

DOMESTIC FOOT SWITCH - PCFS-3

The Foot Switch of this model consists of a small Micro Switch for press to ON and release to OFF operations. Another model of press to ON and press to OFF model is also available on specific requirements.

Two meter long cable is connected with the Switch for easy wiring without dismantling the housing. Four Rubber bushes are provided for good support on earth and a cable gland is provided for gripping the cable.

MINI FOOT SWITCH - PCFS-3M

The Foot Switch of this model consists of Micro Switch for press to ON and release to OFF operations. Rubber matt Provided on Top and Bottom gives Good Support for foot. A strain relief arrangement with 2m Long Cable is provided for each Switch.

These Foot Switches are also available with the Shield to Prevent accidental treadle operation. These Foot Switches are applicable for both Domestic and Medical applications.

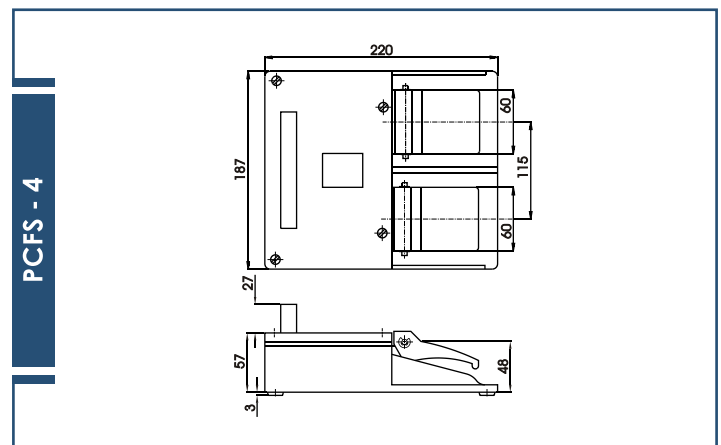
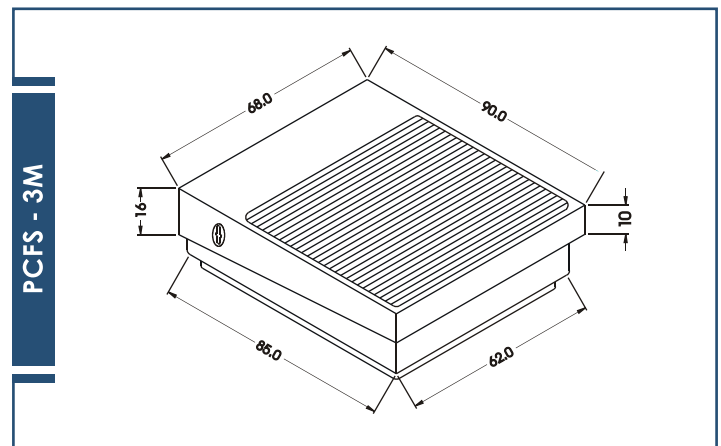
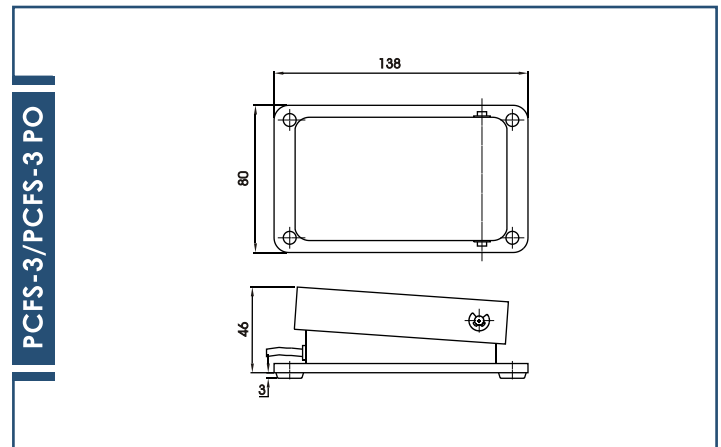
MEDITWIN - PCFS-4

For specific requirements where the contact blocks are to be independently controlled, a double pedal Switch is available. The two pedals are attached to a single housing and can be operated individually to control two independent contact blocks. A conduit entry (3/4" UNF) is supplied with the Foot Switch. A handle is fixed on the top of the cover for easy

* Add suffix "WSD" for Switch with Shield.

OPERATIONAL DATA

Circuit Symbol	Treadle Operation			Description
	Up	Half Down	Full Down	
1 or 2				One contact block, 1 NO + 1 NC or 2 NO + 2 NC, Two Position
11 or 22				Two contact blocks, 1 NO + 1 NC or 2 NO + 2 NC, Two Position
11Z or 22Z				Two contact blocks, 1 NO + 1 NC or 2 NO + 2 NC, Three Position

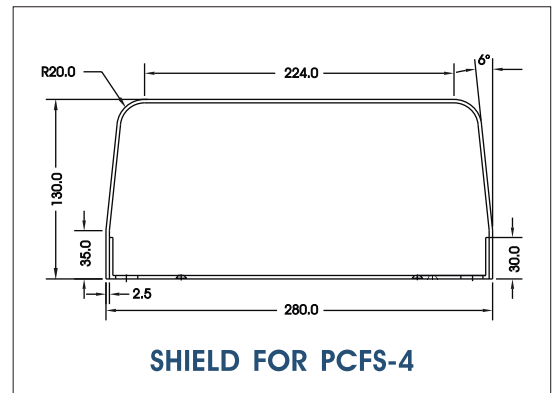
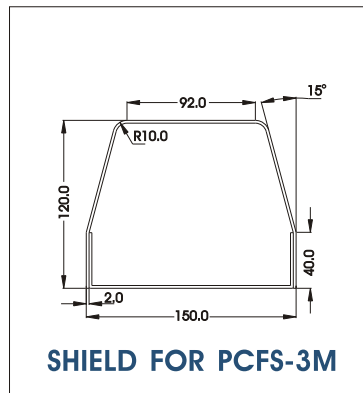
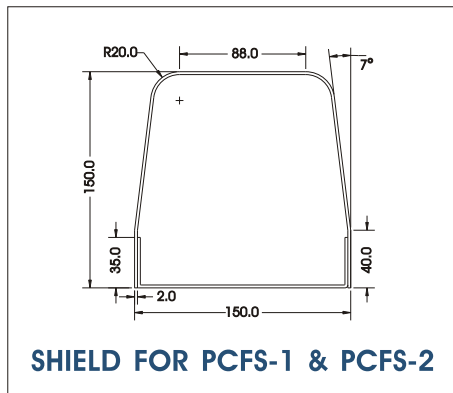


TECHNICAL DATA AS PER IEC 60947-5-1 OF 1997

Type of Foot Switch	PCFS-1	PCFS-2	PCFS-3	PCFS-3M	PCFS-4
Type of Contact Block	PC 600	PC 600 or PC 1500	Micro Switch	Micro Switch	PC 600
Utilization Category	AC 15 DC 13	AC 15 DC 13	AC 15 DC 13	AC 15 DC 13	AC 15 DC 13
Thermal Current I _{th}	10 A	10 A	10 A	10 A	10 A
Insulation Voltage U _i	600V AC	600V AC	250V AC	125V AC	600V AC
Contact Combination	1NO+1NC SPDT - DB**	1NO+1NC or 2NO+2NC	1NO+1NC SPDT - SB*	1NO+1NC SPDT - SB*	1NO+1NC SPDT - DB**
Terminal Capacity	2.5 Sq.mm	2.5 Sq.mm	2.5 Sq.mm	2.5 Sq mm	2.5 Sq.mm
Enclosure Category	IP 65	IP 65	IP 43	IP 43	IP 65
Mech & Electrical Life	5 x 10 ⁶	5 x 10 ⁶	5 x 10 ⁶	5 x 10 ⁶	5 x 10 ⁶
Cable Entry	1/2" BSP	1" BS Conduit	With Cable	With Cable	3/4 " UNF
Weight in Kgs	0.900 - Switch Only 2.100 - With Shield	1.600 -Plain Cover 2.000- With Guard 2.800- With Shield	0.500 Switch Only 1.500 With Shield	0.500 Switch Only 1.500 With Shield	2.000 Switch Only 4.000 With Shield

* SPDT - SB → Single Pole Double Through, Single Break

** SPDT - DB → Single Pole Double Through, Double Break



SALZER ELECTRONICS LIMITED

Samichettipalayam, Coimbatore - 641 047. India.

Ph : 91-422-2692531. Fax : 91-422-2692170.

e-mail : salzer@salzergroup.com Web : www.salzergroup.com